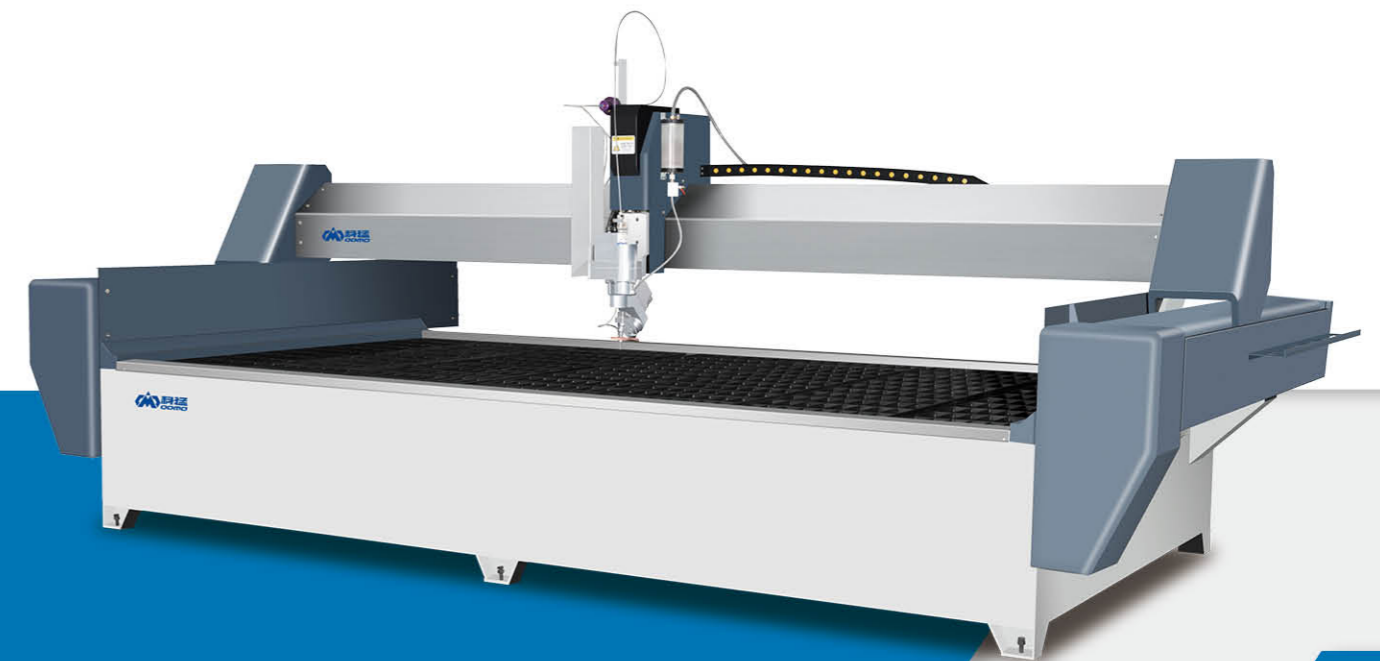




QOMOTECH

CONNECT YOU WITH THE FUTURE

科猛技术 - 连接您与未来



官网



手机画册

QOMOTECH-INNOVATIONS 佛山市科猛创易科技有限公司

- 📍 地址: 广东省佛山市南海区狮山镇招大创业园招北工业区 2 号 -7 号
Add:NO.2-7, zhaobei industrial zone, zhaoda pioneer park shishan town, nanhai district, foshan city, guangdong province
- ☎ 电话 /Tel: 0757-6322 3096
- 📠 传真 /Fax: 0757-6322 3097
- 📞 售后服务专线 / After-sales service: 0757-6322 3092
- 🌐 网址 / Web: <http://www.qomotech.com>



更精准 更快速 更高压力 更节能 更降噪

About us

关于我们

佛山市科猛创易科技有限公司是专业从事超高压水射流切割设备（简称“水刀”）的研发、生产、销售与服务的高新技术生产厂家。

我们在悬挂稳固钢结构和液压流体力学方面有着多年的研发、方案设计与实施的丰富经验，为水刀设备的生产制造打下了优质而坚实的技术保障基础。

多年来我们不断地创新、打造和提升着在超高压水射流方面的技术优势，一直致力于对水刀设备更高性能的挖掘。

QOMOTECH-INNOVATIONS is a high-tech manufacturer specializing in the research and development, production, sales and service of ultra-high pressure water jet cutting equipment (referred to as "water knife").

We have many years of experience in research and development, scheme design and implementation of suspension stable steel structure and hydraulic fluid mechanics, which has laid a good and solid technical support foundation for the production and manufacturing of water jet equipment.

Over the years, we have continuously innovated, created and improved the technical advantages in the field of ultra-high pressure water jet, and have been committed to the exploration of higher performance of water jet equipment.



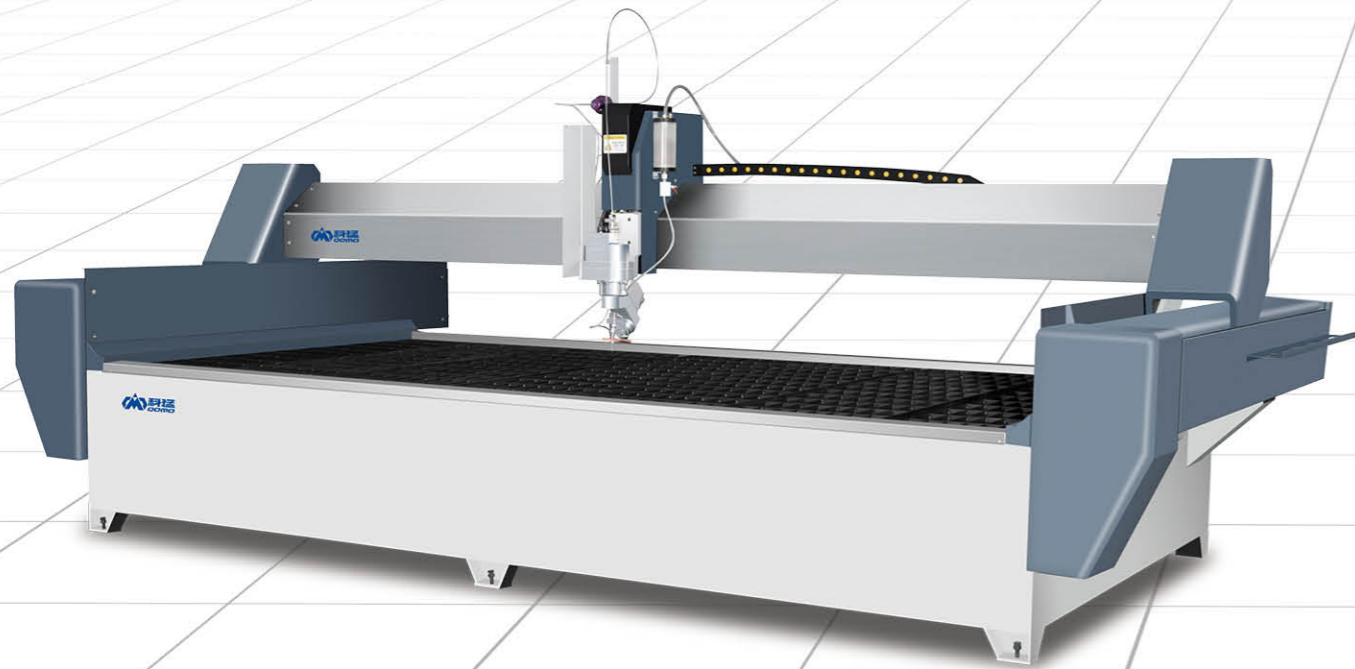
我们的目标是 ●●●
站在中国同行业的制高点，
比肩世界一流同类设备的技
术和性能！

Our goal is to stand in the commanding heights of the same industry in China, and to stand shoulder to shoulder with the world-class technology and performance of similar equipment!

4020AC

FIVE AXIS INNOVATIVE
WATER JET

五轴领创款水刀



产品特点 Product features

科猛水刀领创款，是科猛技术专门针对岩板加工、卫浴盆及台面加工、石材和陶瓷加工而研发调整出来的一款特别适用于该领域的操作及应用的水刀设备，具有稳定性好、精度高、速度快、适应性强等诸多优异性能和优势特点，具有超高性价比，大大提高了工厂效能！

科猛领创款水刀对于岩板、石材、陶瓷的高精度、高速切割性能，可大幅为相关行业的生产加工提高生产效率，其优异的结构稳定性能更好地保证生产的顺利进行！

同时，科猛公司拥有特别强大的售后力量，众多的优秀售后工程师和遍布全国的售后服务网点，让我们有实力、有信心能够为您提供最好、最贴心的服务保障！

QOMOTECH-Leader, the very kind of water jet that is special technology for rock slabs processing, bathroom basin and surface processing, stone and ceramic processing research and development adjustment of a particularly applicable to the operation and application of the field of water jet device, has good stability, high precision, high speed, strong adaptability, and many other excellent performance, and the characteristics of the advantages, has a high cost performance, vigorously improve the factory efficiency!

The high precision and high speed cutting performance of the QOMO Leader water jet for rock slabs, stone and ceramic can greatly improve the efficiency for the production and processing of related industries, and its excellent structural stability can better ensure the smooth progress of production!

At the same time, QOMOTECH company has a particularly strong after-sales force, a large number of excellent after-sales engineers and after-sales service outlets throughout the country, so that we have the strength, confidence to provide you with the best, the most intimate service guarantee!

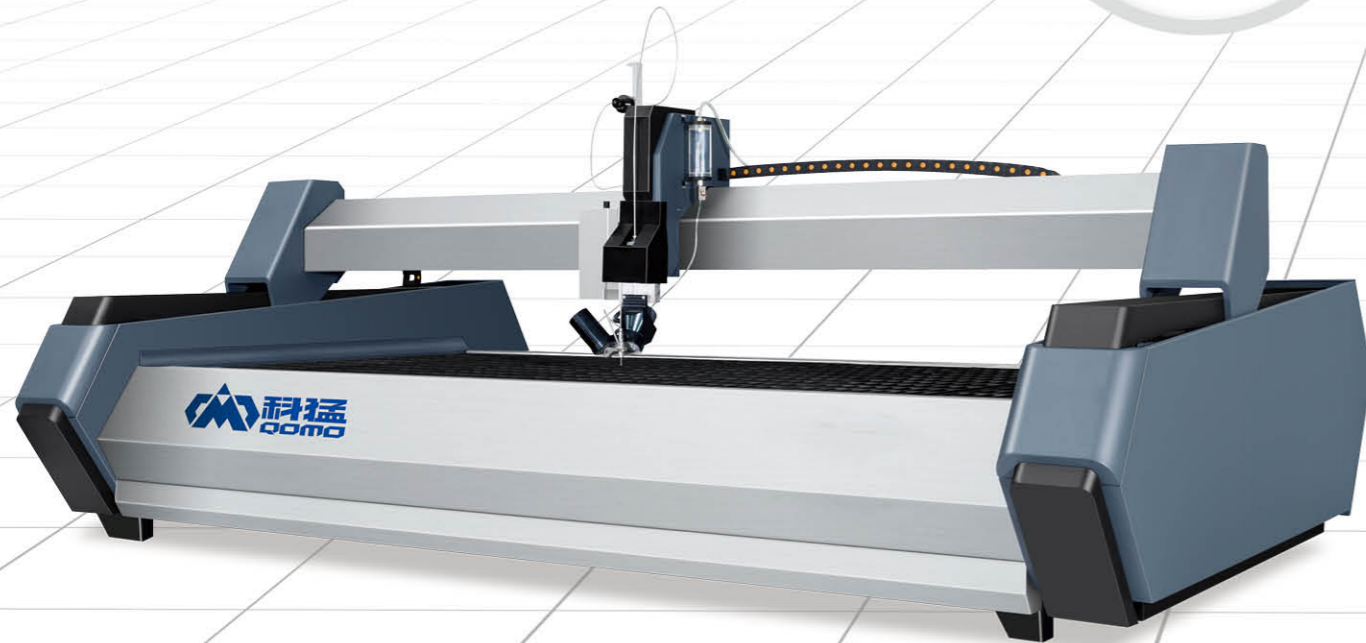
主要技术参数 Main technical parameters

型号 Model	QM1313	QM2015	QM2515	QM3020	QM4020	
结构形式 Structure type	悬臂式 Cantilever	龙门式 Gantry	龙门式 Gantry	龙门式 Gantry	龙门式 Gantry	
切割台尺寸 Cutting table size	1500x1500mm	2100x1600mm	2600x1600mm	3100x2100mm	4100x2100mm	
切割行程 Cutting stroke	X - 轴 X-axis	1300mm	2000mm	2500mm	3000mm	4000mm
	Y - 轴 Y-axis	1300mm	1500mm	1500mm	2000mm	2000mm
	Z - 轴 Z-axis	130mm	130mm	130mm	130mm	130mm
	A - 轴 A-axis	±65°	±65°	±65°	±65°	±65°
	C - 轴 C-axis	无限旋转 Infinite rotation				
CNC 控制器 CNC Controller	交流伺服系统 AC Servo system					
精度 Accuracy	切割精度 Cutting accuracy	±0.1mm				
	重复定位 Repeat positioning	±0.01mm				
快速定位速度 Fast positioning speed	6500/15000mm/min					
电源 Power supply	220V/380V/415V AC,50/60Hz					

3020AB

FIVE AXIS UNIVERSAL
WATER JET

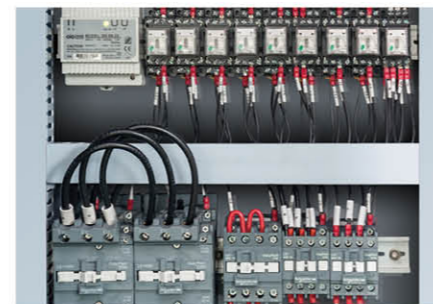
五轴通用款水刀



产品特点 Product features

AB 五轴水刀配备 AB 五轴切割头，可在切割中进行角度补偿，有效提高切割面的垂直度和精度；自动升降平台可选配加装。

AB shaft water jet is equipped with AB five-axis cutting head, which can compensate the Angle during cutting, effectively improve the verticality and accuracy of the cutting surface; Automatic lifting platform is optional.



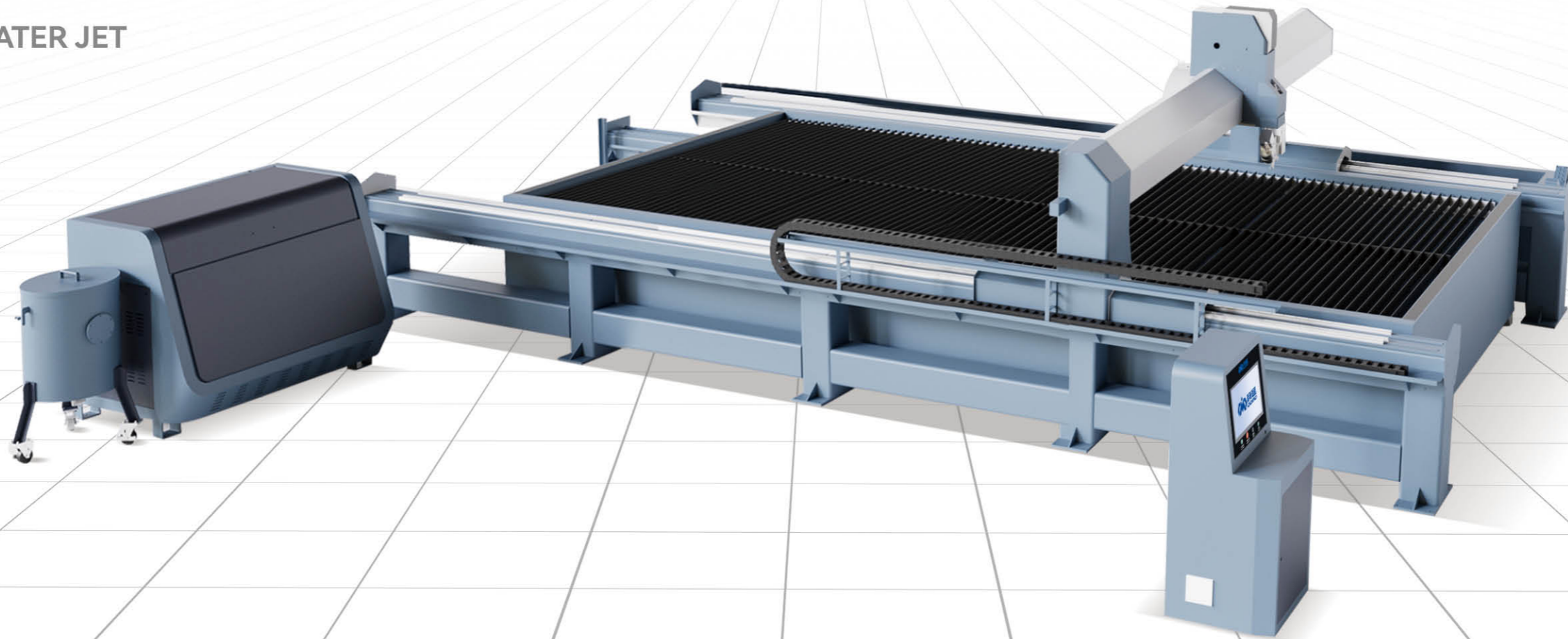
主要技术参数 Main technical parameters

型号 Model	3020AB 五轴通用款水刀 Five axis universal water jet	
结构形式 Structure type	龙门式 Gantry	
外形尺寸 Appearance size	4350x3050x1950mm	
切割台尺寸 Cutting table size	3100x2100mm	
切割行程 Cutting stroke	X - 轴 X-axis	3000mm
	Y - 轴 Y-axis	2000mm
	Z - 轴 Z-axis	130mm
	A,B - 轴 A,B-axis	±15°
CNC 控制器 CNC Controller	交流伺服系统 AC Servo system	
精度 Accuracy	切割精度 Cutting accuracy	±0.1mm
	重复定位 Repeat positioning	±0.01mm
增压器 Booster	QOMO450 型增压器 /QOMO600 型大流量增压器 QOMO450 turbocharger/QOMO600 high flow turbocharger	

2560

THREE AXIS WATER JET

三轴水刀



产品特点 Product features

龙门式三轴水刀结构稳固，加工范围大，生产柔性强。自动升降平台可选配加装。

Gantry type 3-axis water jet has stable structure, large processing range and strong production flexibility. Automatic lifting platform is optional.

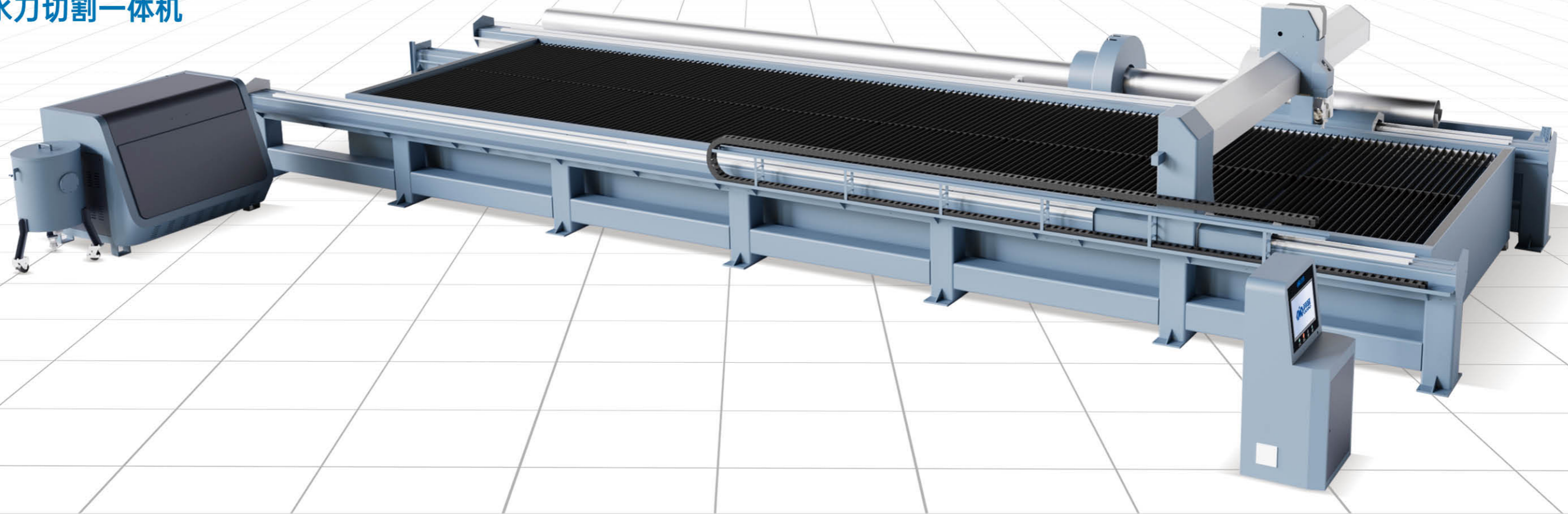
主要技术参数 Main technical parameters

型号 Model	2560 三轴通用款水刀 2560 three-axis universal water jet	
结构形式 Structure type	龙门式 Gantry	
外形尺寸 Appearance size	2550X7350X1950mm	
切割台尺寸 Cutting table size	2600X6100mm	
切割行程 Cuttingstroke	X - 轴 X-axis	2500mm
	Y - 轴 Y-axis	6000mm
	Z - 轴 Z-axis	130mm
CNC 控制器 CNC Controller	交流伺服系统 AC Servo system	
精度 Accuracy	切割精度 Cutting accuracy	±0.1mm
	重复定位 Repeat positioning	±0.01mm
增压器 Supercharger	QOM0450 型增压器 / QOM0600 型大流量增压器 QOM0450 supercharger / QOM0600 high flow supercharger	

30120AC

FIVE AXIS PLATE TUBE WATER JET CUTTING INTEGRATED MACHINE

五轴板管水刀切割一体机



产品特点 Product features

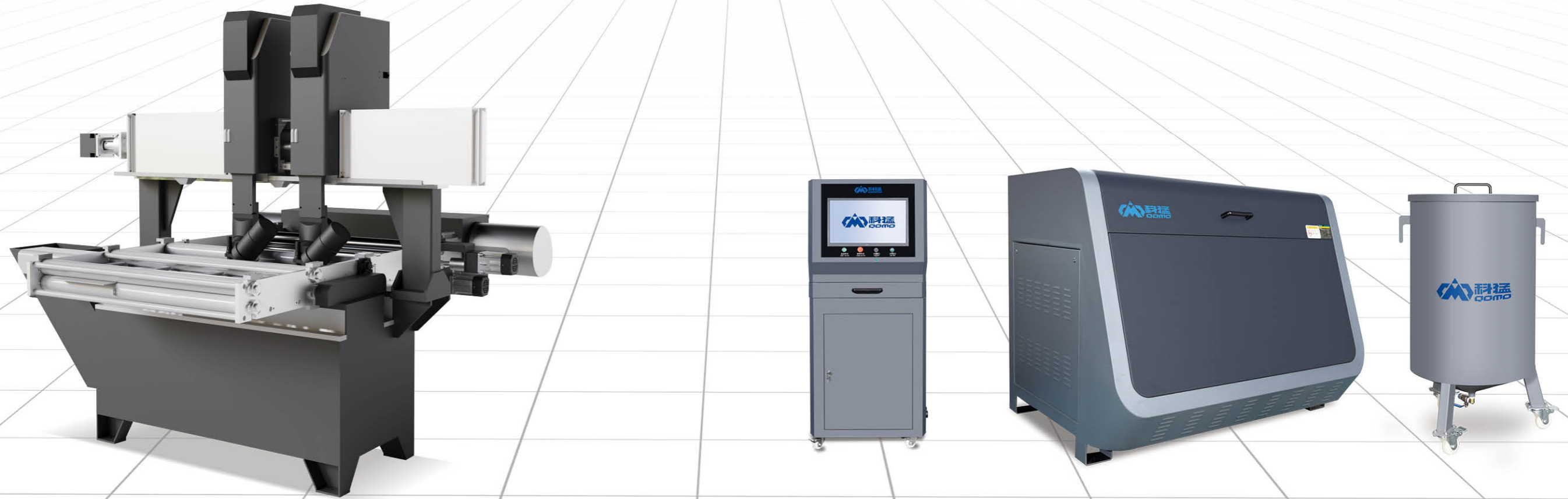
金属板管切割一体机，是全国首创第一款集成了金属管材和板材异型切割功能的先进设备，专为高效、高精度的金属板材和管材的表面异型切割加工而设计，不产生热影响区和热应力，大幅提高了金属材料的应用性能，尤其提升了金属材料配件在中高端应用场合的稳定性及安全性以及高端金属材料在高强度负荷应用场合的力学性能！

The metal plate and pipe cutting integrated machine is the first advanced equipment in China to integrate the function of metal pipe and sheet metal irregular cutting. It is designed for efficient and high-precision surface irregular cutting processing of metal plates and pipes, without generating heat affected zones and thermal stress, greatly improving the application performance of metal materials, especially enhancing the stability and safety of metal material accessories in mid to high end applications, and the mechanical properties of high-end metal materials in high-strength load applications!

主要技术参数 Main technical parameters

型号 Model		30120AC 五轴板管水刀切割一体机 Five axis plate tube water jet cutting integrated machine
结构形式 Structure type		龙门式 Gantry
外形尺寸 Appearance size		6000x16500x2400mm
切割台尺寸 Cutting table size		3100x12100mm
切割行程 Cutting stroke	X - 轴 X-axis	4500mm
	Y - 轴 Y-axis	12000mm
	Z - 轴 Z-axis	230mm
	A - 轴 A-axis	±65°
	B - 轴 C-axis	无限旋转 Infinite rotation
CNC 控制器 CNC Controller		交流伺服系统 AC Servo system
精度 Accuracy	切割精度 Cutting accuracy	±0.1mm
	重复定位 Repeat positioning	±0.01mm
增压器 Booster		QOMO450 型增压器 /QOMO600 型大流量增压器 QOMO450 turbocharger/QOMO600 high flow turbocharger

CARBON STEEL WITH DEDICATED WATER JET CUTTING MACHINE 碳钢带专用水刀切割机



产品特点 Product features

专为切割碳钢带而设计，它利用高压水流和磨料的混合射流，对碳钢带进行高速、高精度的切割，无需使用任何化学添加剂或热源，从而不会产生热影响区、热应力和化学反应，保证了材料的原有性质；同时采用了先进的数控技术和精密的定位系统，以及烘干和清洁功能，确保切割精度和重复定位精度达到高标准。

Specially designed for cutting carbon steel strips. It utilizes a mixed jet of high-pressure water flow and abrasive to cut carbon steel strips at high speed and precision, without the need for any chemical additives or heat sources, thereby avoiding the generation of heat affected zones, thermal stresses, and chemical reactions, ensuring the original properties of the material; At the same time, advanced CNC technology and precise positioning system, as well as drying and cleaning functions, are adopted to ensure high standards of cutting accuracy and repeated positioning accuracy.

主要技术参数 Main technical parameters

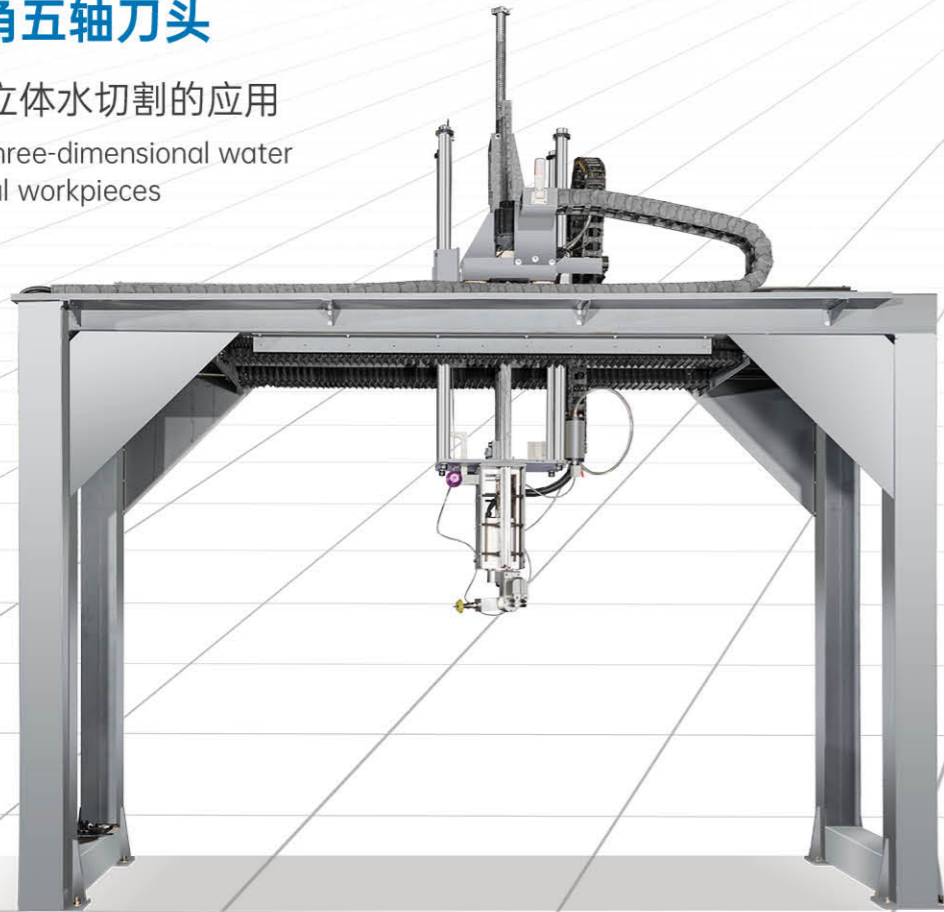
型号 Model	碳钢带专用水刀切割机 Carbon steel with dedicated water jet cutting machine	
外形尺寸 Appearance size	2300x2150x2040mm	
双工位切割平台尺寸 Dual station cutting table size	2x180 (宽 Wide)	
切割行程 Cutting stroke	X - 轴 X-axis	200
	Y - 轴 Y-axis	连续循环 Continuous cycle
	Z - 轴 Z-axis	110
CNC 控制器 CNC Controller	交流伺服控制系统 AC Servo control system	
精度 Accuracy	切割精度 Cutting accuracy	±0.1mm
	重复定位 Repeat positioning	±0.01mm
快速定位速度 Fast positioning speed	6500/15000mm/min	
电源 Power supply	220/380/415AC, 50/60HZ	
切割速度 Cutting speed	2000mm/min	
切割工件范围 Cutting workpiece range	料长 Material lengthx180mmx5mm	
切割材料 Cutting materials	金属材料 (带料) 及非金属带料 Metal materials (With material) and non-metallic With material	
具有自动抽砂及排废料功, 工件出入清洗功能, 烘干功能, CAD 接口, 自动定位切割 Equipped with automatic sand extraction and waste discharge functions, workpiece entry and exit cleaning function, drying function, CAD interface, automatic positioning and cutting		

AE LARGE SWING ANGLE FIVE AXIS CUTTING HEAD

AE 大摆角五轴刀头

对金属工件立体水切割的应用

Application of three-dimensional water cutting for metal workpieces



产品特点 Product features

AE 大摆角五轴水刀头是一种先进的水切割设备，能够在多个维度上对金属工件进行精确的切割。其大摆角设计允许水刀头在垂直于切割平面的角度范围内自由移动，这意味着它可以从不同的方向对工件进行切割，从而实现更加复杂和精细的切割路径；在金属加工中提供高精度、高效率切割，适用于复杂几何形状，节约材料，延长工件寿命；适用于航空航天、汽车制造、模具制造等领域，满足客户对金属工件的加工精度和效率有着极高的要求。

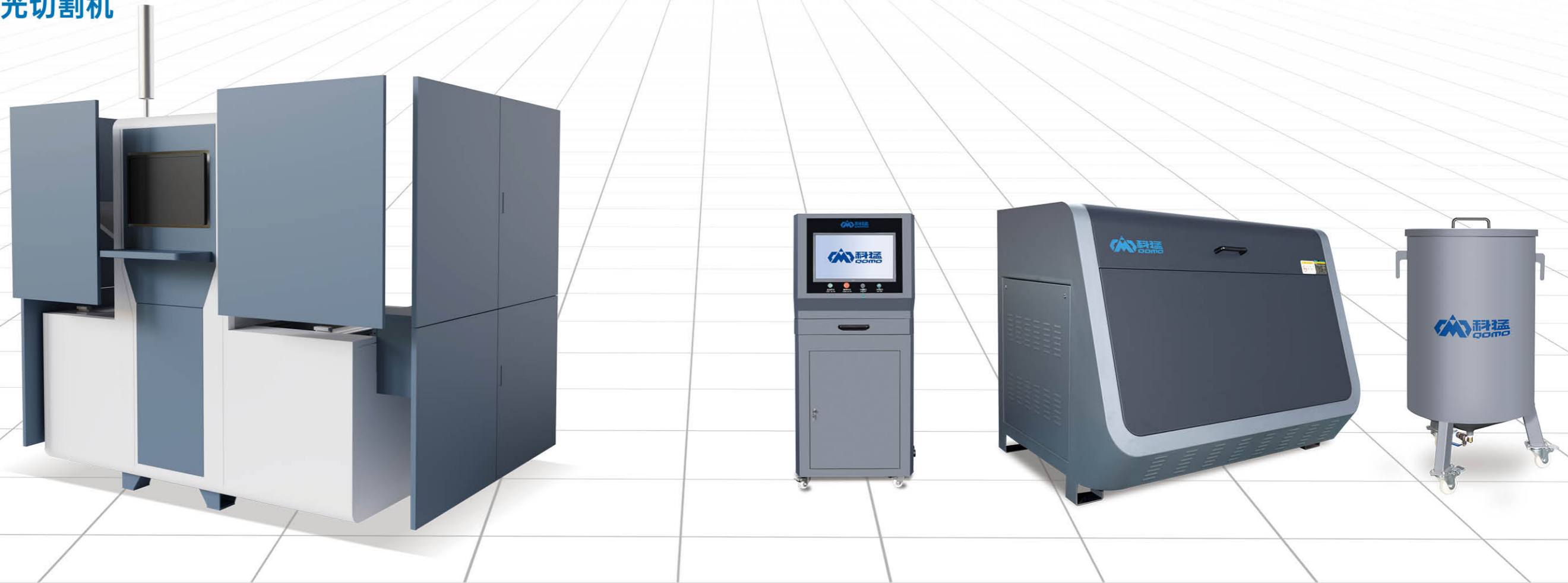
AE large swing angle five axis water jet head is an advanced water cutting equipment that can accurately cut metal workpieces in multiple dimensions. Its large swing angle design allows the water jet head to move freely within the angle range perpendicular to the cutting plane, which means it can cut the workpiece from different directions, thereby achieving more complex and precise cutting paths; Providing high-precision and high-efficiency cutting in metal processing, suitable for complex geometric shapes, saving materials, and extending the lifespan of workpieces; Suitable for aerospace, automotive manufacturing, mold manufacturing and other fields, meeting customers' extremely high requirements for machining accuracy and efficiency of metal workpieces

主要技术参数 Main technical parameters

型号 Model	AE 大摆角五轴刀头 AE large swing angle five axis cutting head	
外形尺寸 Appearance size	5000x4300x1650mm	
切割台尺寸 Cutting table size	宽 Wide1450, 长 Long 3600mm, 切割直径 Cutting diameter 1600mm	
切割行程 Cutting stroke	X - 轴 X-axis	3200mm
	Y - 轴 Y-axis	3600mm
	Z - 轴 Z-axis	950mm
	A - 轴 A-axis	≤200°
	B - 轴 C-axis	≤360°
CNC 控制器 CNC Contoller	总线控制 Bus control	
精度 Accuracy	切割精度 Cutting accuracy	±0.05mm
	重复定位 Repeat positioning	±0.05mm
增压器 Booster	QOMO450 型增压器 /QOMO600 型大流量增压器 QOMO450 turbocharger/QOMO600 high flow turbocharger	

SPECIAL LASER CUTTING MACHINE FOR CARBON STEEL STRIP

碳钢带专用激光切割机



产品特点 Product features

碳钢带激光切割机是一种专门针对碳钢材料进行高效、精准切割的设备。它利用高能量密度的激光束作为切割工具，通过快速移动激光束与碳钢带接触，实现对碳钢带的切割。这种设备通常配备有精密的数控系统，能够根据预设的程序自动控制激光束的移动路径，实现对碳钢带的精确切割，不仅高精度、高效率切割碳、自动化程度高，还可广泛应用于多个领域。

Carbon steel and carbon steel strip laser cutting machine is a specialized equipment for efficient and accurate cutting of carbon steel materials. It uses a high-energy density laser beam as a cutting tool to quickly move the laser beam and make contact with the carbon steel strip, achieving cutting of the carbon steel strip. This type of equipment is usually equipped with a precision CNC system, which can automatically control the movement path of the laser beam according to the preset program, achieving precise cutting of carbon steel strips. It not only has high precision and efficiency in cutting carbon, high degree of automation, but also can be widely used in multiple fields.

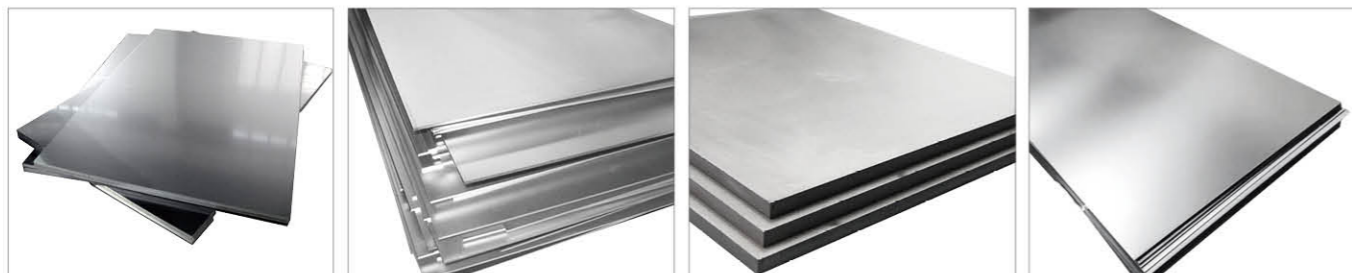
主要技术参数 Main technical parameters

型号 Model	碳钢带专用激光切割机 Special laser cutting machine for carbon steel strip	
外形尺寸 Appearance size	2000x1380x1980mm	
单工位切割平台尺寸 Single station cutting table size	200 (宽 Wide)	
切割行程 Cuttingstroke	X - 轴 X-axis	200
	Y - 轴 Y-axis	连续循环 Continuous cycle
	Z - 轴 Z-axis	110
CNC 控制器 CNC Controller	交流伺服控制系统 AC Servo control system	
精度 Accuracy	切割精度 Cutting accuracy	±0.1mm
	重复定位 Repeat positioning	±0.01mm
快速定位速度 Fast positioning speed	6500/15000mm/min	
电源 Power supply	220/380/415AC, 50/60HZ	
切割速度 Cutting speed	4000mm/min	
切割工件范围 Cutting workpiece range	料长 Material lengthx200mmx5mm	
切割材料 Cutting materials	金属材料 (带料) 及非金属带料 Metal materials (With material) and non-metallic With material	
CAD 接口, 自动定位切割 CAD interface, automatic positioning and cutting		

钛管、钛板、钛合金

TITANIUM TUBE, TITANIUM PLATE, TITANIUM ALLOY

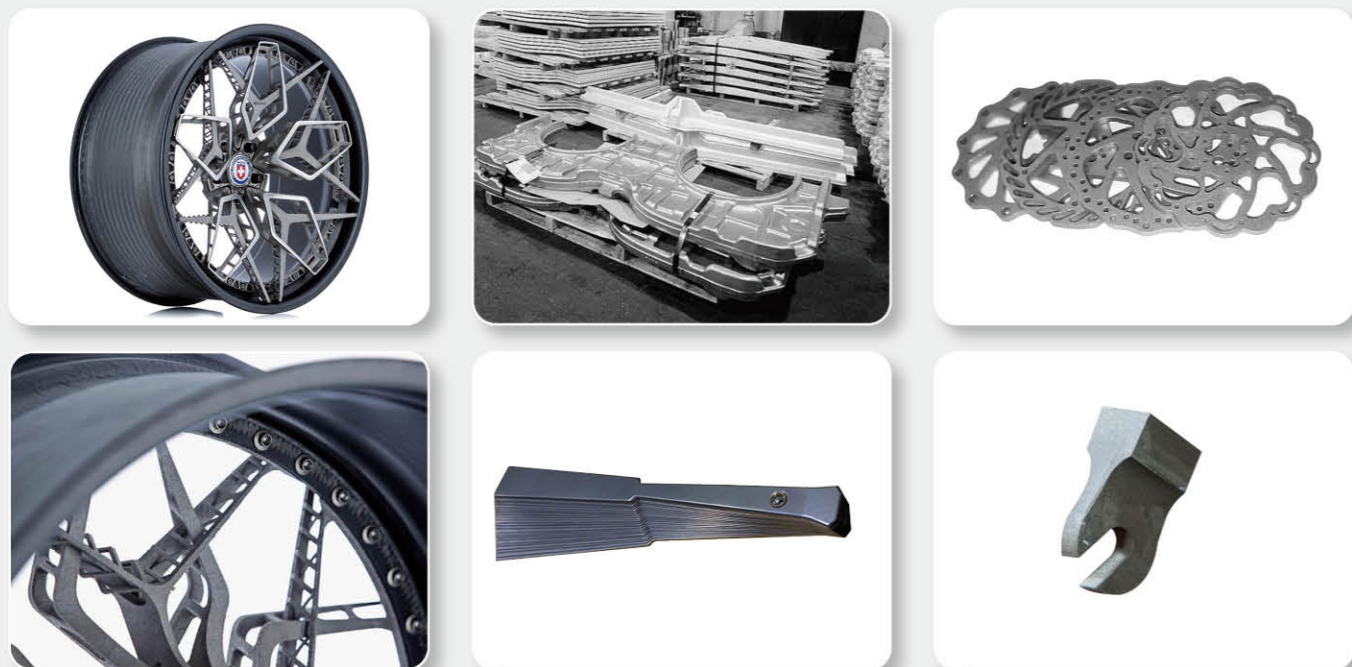
钛管 Titanium tube



钛板 Titanium plate

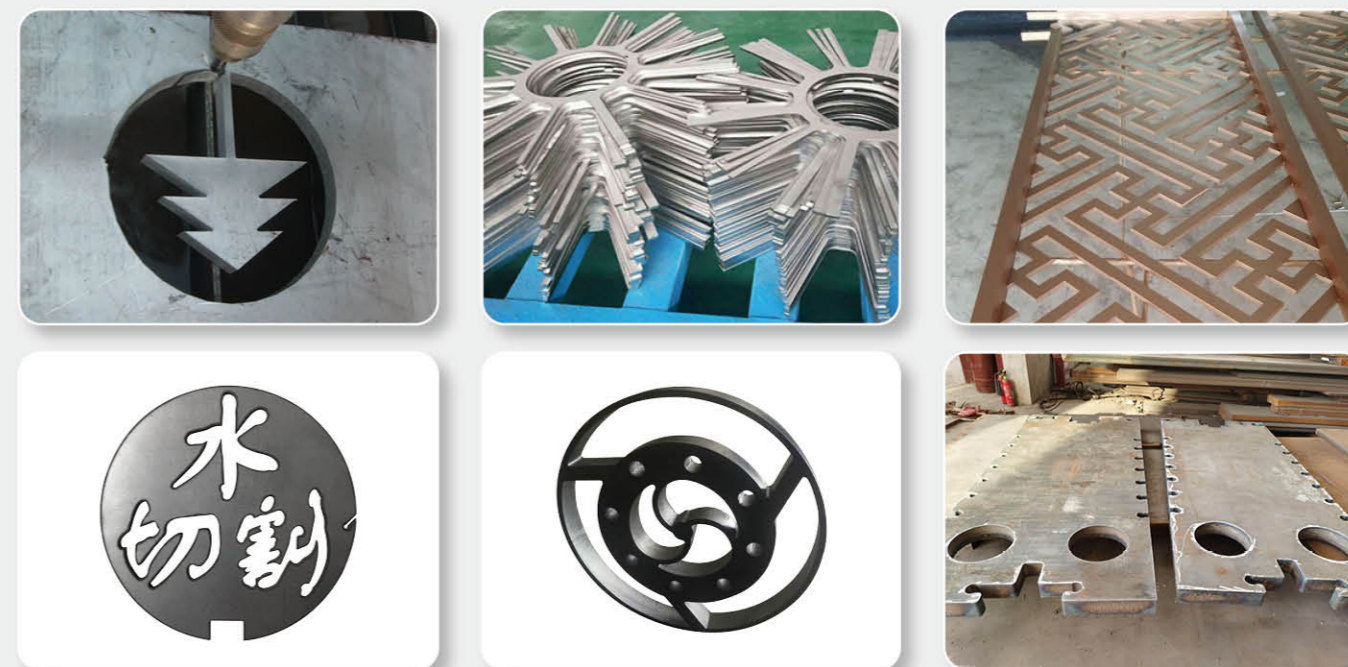
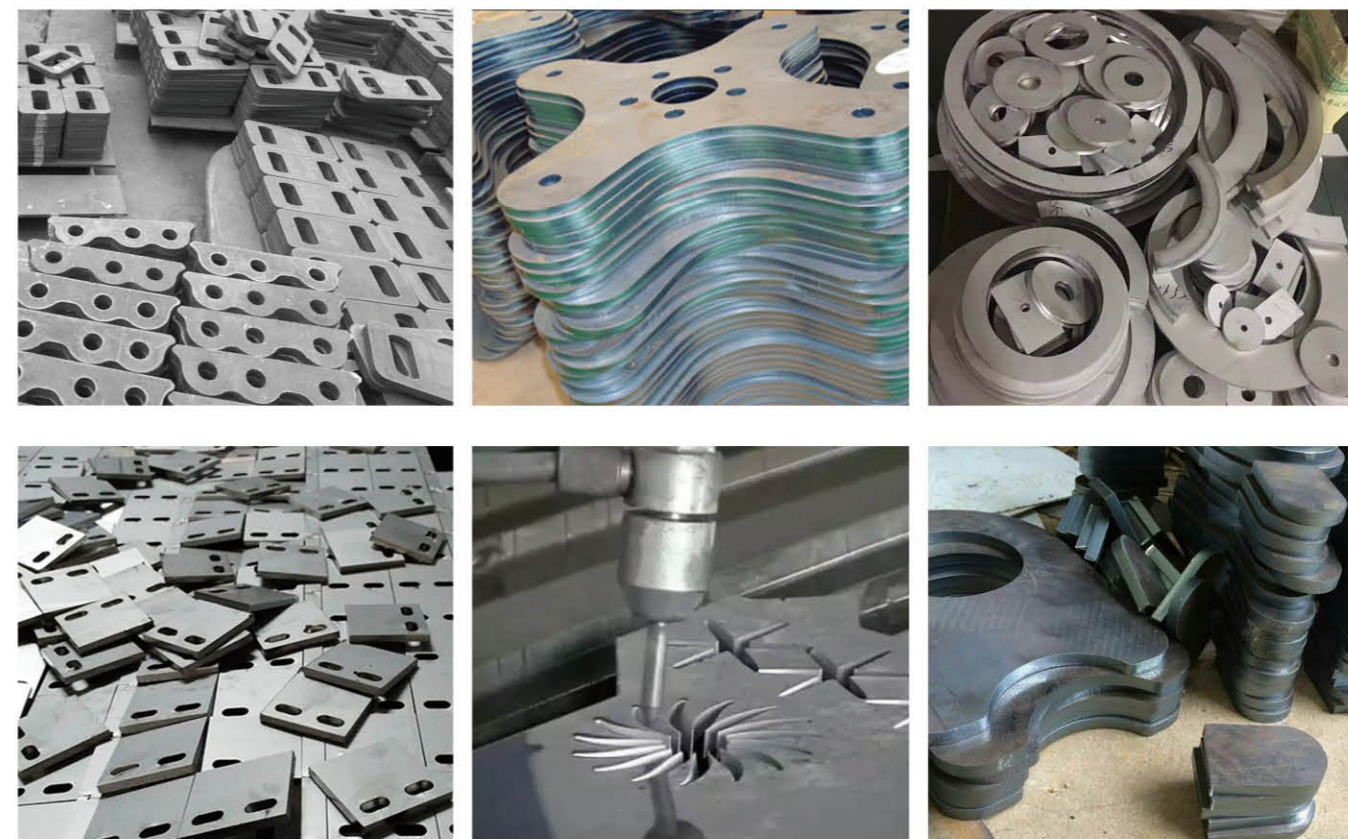


钛合金 Titanium alloy



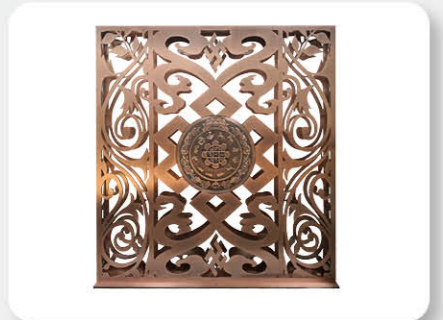
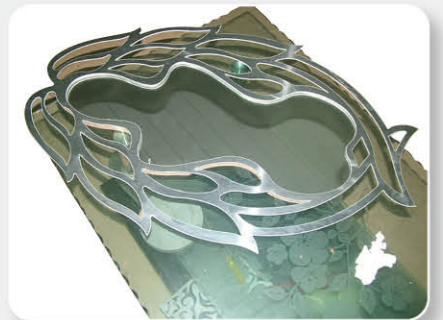
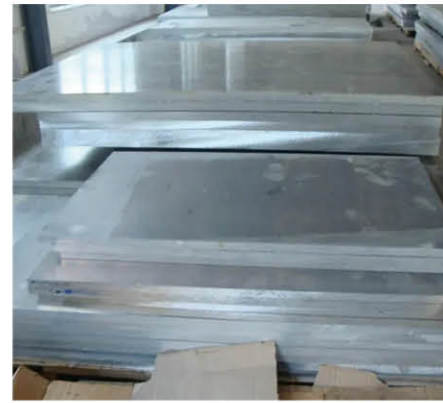
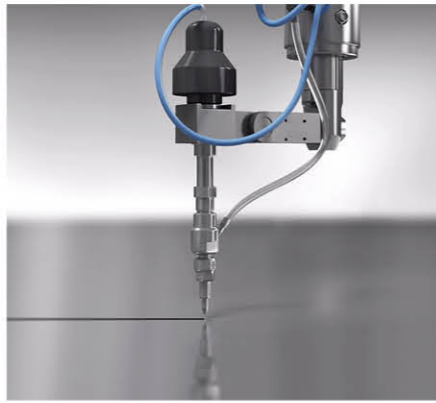
钢材工件

STEEL WORKPIECES



铝合金工件

ALUMINUM ALLOY WORKPIECES



对专用于金属加工行业的超高载重能力加强水刀床身平台的介绍

INTRODUCTION TO THE ENHANCED WATER JET BED PLATFORM WITH ULTRA HIGH LOAD CAPACITY SPECIALLY DESIGNED FOR THE METAL PROCESSING INDUSTRY

01

这是一款专为金属加工行业而设计的超高载重能力加强水刀床身平台，它的独特之处在于其高刚性、高稳定性以及超大的承载能力。这款水刀床身平台在金属加工行业中拥有广泛的应用，尤其是在汽车、航空航天、能源等领域，能为企业的生产加工极大地提高稳定性和加工工艺的精准度。

Designed specifically for the metalworking industry, this ultra-high load capacity enhanced waterknife bed platform is unique for its high rigidity, high stability and large load carrying capacity. This water jet bed platform has a wide range of applications in the metal processing industry, especially in the automotive, aerospace, energy and other fields, which can greatly improve the stability and precision of the processing process for the production and processing of enterprises.

03

承载能力高达 35 吨以上，适用于各种厚度的金属大型板材高精度、高稳定性的切割加工。

The bearing capacity is more than 35 tons, which is suitable for high-precision and high-stability cutting of large metal plates of various thicknesses.

02

首先，这款水刀床身平台的独特设计使其具有极高的刚性和稳定性。这得益于其独特的结构设计，即采用高强度钢整体焊接成型，并进行低温退火处理，从而保证了床身平台的超高稳定性，确保加工过程中的高精度和稳定性。

Firstly, the unique design of this water jet bed platform gives it extremely high rigidity and stability. This is due to its unique structural design, which uses high-strength steel for overall welding and low-temperature annealing treatment, thereby ensuring the ultra-high stability of the bed platform and ensuring high precision and stability during the processing.

04

最后，这款水刀床身平台还可根据客户需求进行定制化生产，满足不同客户的个性化需求。

Finally, this water jet bed platform can also be customized according to customer needs, meeting the personalized needs of different customers.



专用于金属切割加工的大流量超高压相关的增压总成和增压配件

HIGH FLOW AND ULTRA-HIGH PRESSURE RELATED TURBOCHARGING ASSEMBLIES AND ACCESSORIES SPECIFICALLY DESIGNED FOR METAL CUTTING AND PROCESSING

大流量增压总成
HIGH FLOW BOOSTING ASSEMBLY



大流量单向阀维修包
HIGH FLOW ONE-WAY VALVE REPAIR KIT



大流量进水阀
HIGH FLOW INLET VALVE



大流量水密封组
HIGH FLOW WATER SEALING GROUP



水开关维修包
WATER SWITCH REPAIR KIT



砂阀体
SAND VALVE BODY



高压缸拉杆
HIGH PRESSURE CYLINDER ROD



油缸
OIL CYLINDER



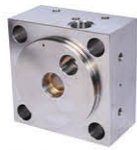
高压拆封工具
HIGH PRESSURE UNPACKING TOOL



C轴旋转接头
C-AXIS ROTARY JOINT



方块
BLOCK



直角二通
RIGHT ANGLE TWO-WAY



单向阀维修包
REPAIR KIT FOR ONE-WAY VALVE



大流量高压缸内胆
HIGH FLOW HIGH-PRESSURE CYLINDER LINER



大流量电眼 + 底座
HIGH FLOW ELECTRIC EYE+BASE



大流量单向阀
HIGH FLOW ONE-WAY VALVE



油封组件
OIL SEAL



高压缸扳手
HIGH PRESSURE CYLINDER WRENCH



高压缸
HIGH PRESSURE CYLINDER



高压水封
HIGH PRESSURE WATER SEAL



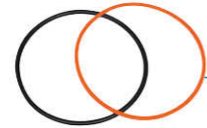
A轴旋转接头
A-AXIS ROTARY JOINT



C轴高压管
C-AXIS HIGH-PRESSURE PIPE



方块油封
BLOCK OIL SEAL



方块组合垫
BLOCK COMBINATION PAD

进砂管、砂管夹
SAND PIPE, SAND PIPE CLAMP



进水阀维修包
INLET VALVE REPAIR KIT



M16 接头
M16 CONNECTOR



进水阀
INLET VALVE



蓝油
BLUE OIL



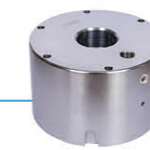
换向顶针
REVERSING PIN



水开关体
WATER SWITCH BODY



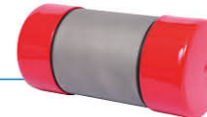
圆螺母
ROUND NUT



铜环
COPPER RING



高压缸
HIGH PRESSURE CYLINDER



大流量进水阀维修包
HIGH FLOW INLET VALVE REPAIR KIT



高压缸扳手
HIGH PRESSURE CYLINDER WRENCH



单向阀
CHECK VALVE



霍尔开关
HALL SWITCH



刀头杆
KNIFE HEAD ROD



三轴防尘罩
THREE AXIS DUST COVER



陶瓷杆
CERAMIC ROD



砂管保护套
SAND PIPE PROTECTIVE SLEEVE



水开关总成
WATER SWITCH ASSEMBLY



高压缸内胆
HIGH PRESSURE CYLINDER LINER



电眼线
ELECTRIC EYELINER



换向支架
REVERSING BRACKET



砂管
SAND PIPE



宝石
DIAMOND ORIFICE



喷头体
NOZZLE BODY

